

ORIGINAL SPECIFICATION JAGUAR INTERIORS

E-TYPE ROADSTER SERIES I & II, 1961-1971

INTERIOR KITS

6-Cylinder



Standard Kit

K01B (without headrests)

K01BH (with headrests)

Kit Includes:

- Carpet Set
- A-Post Hardura
- Inner Sill Panel Kit
- Underseat Hardura
- Door Panels
- Rear Bulkhead Hardura
- Wheel Arch Covers
- No. 8 Cover Panels
- No. 9 Cover Panels Around Interior Light
- Lower Rear Bulkhead
- Rear Boot Panel
- Boot Mat

- Bootsides
- No. 13 Side Cover Panels
- No. 14 Rebate Door Closing Panels
- Underdash Hardura
- Connolly Leather Seat Covers
- Centre Console Retrim Kit
- Underfelt Kit
- 8 Male & Female Carpet Studs
- Leather Headrest Covers, (69-71)
- 1/2 yd. Vinyl
- Key Fob

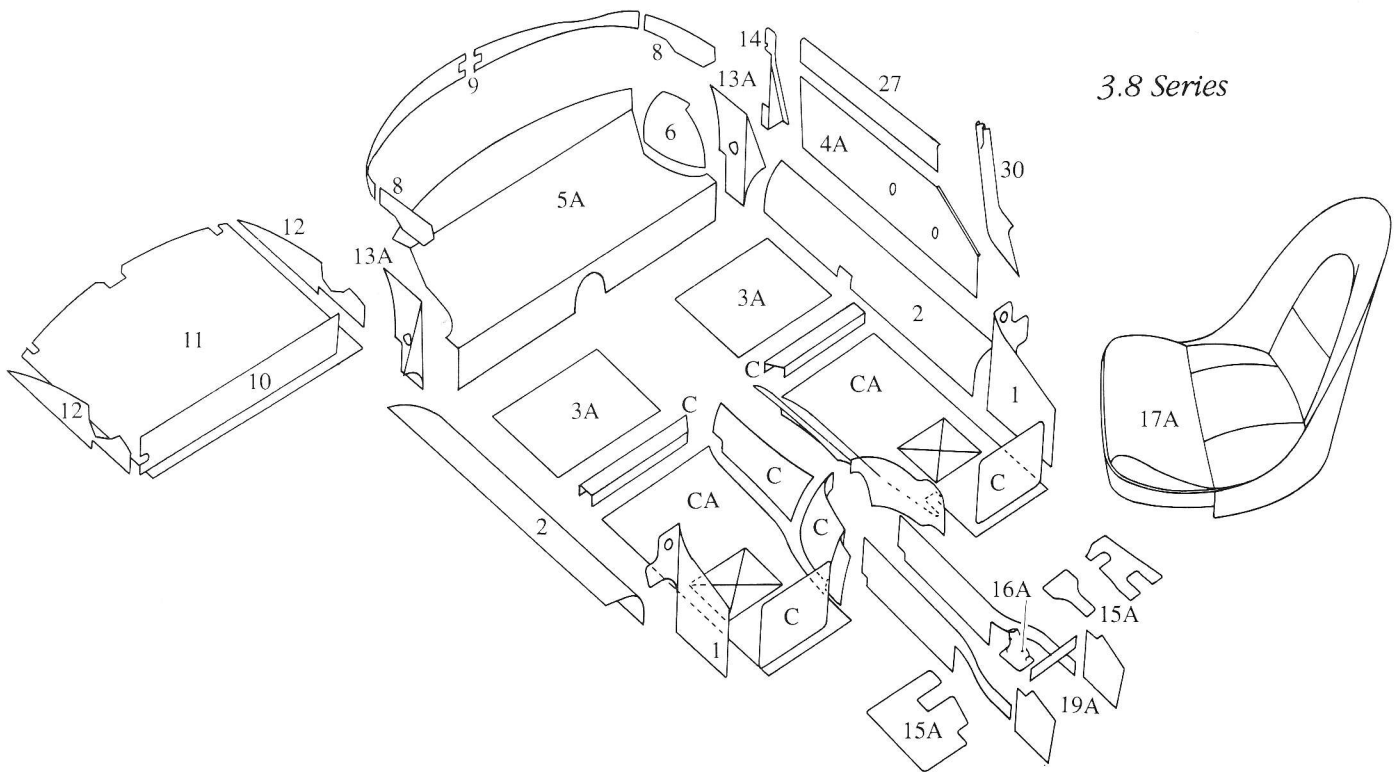
Major Kit

K01C (without headrests)

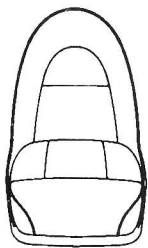
K01CH (with headrests)

Kit Includes:

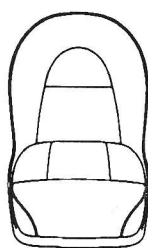
- Standard Kit
- Upper Door Panel Cappings
- Padded Dash Cover
- Hood, (*crushed grain vinyl*), black/tan or black/black
- Hood Envelope, (*vinyl*), black/tan
- Seat Diaphragms, 4.2 Cars
- Windscreen Pillar Trim Panels
- Foam Seat Cushions
- 1/4 yd. Vinyl



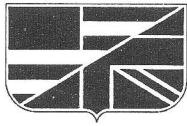
3.8 Series



3.8 Series I Roadster Seat



3.8 Series I FHC Seat



ORIGINAL SPECIFICATION JAGUAR INTERIORS

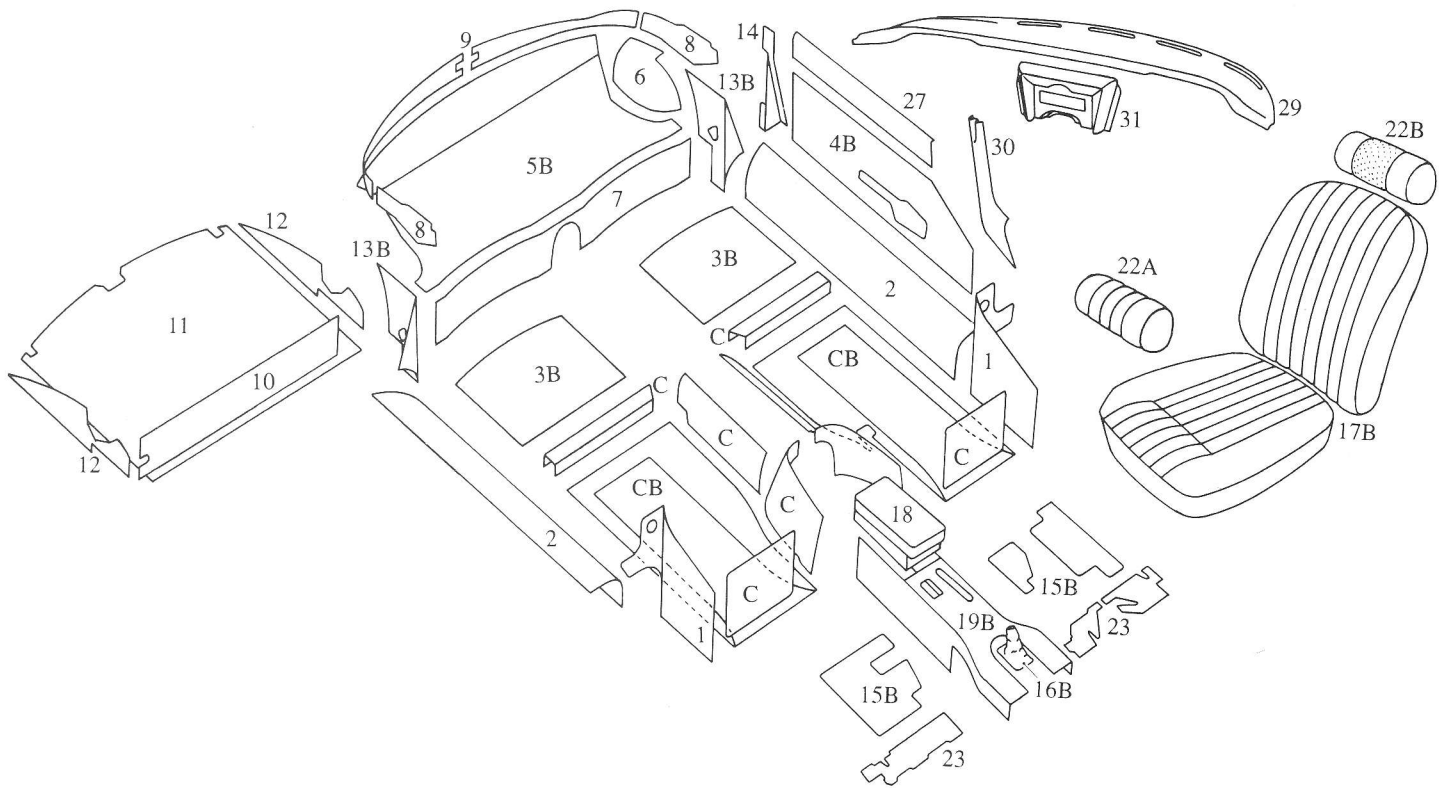
E-TYPE ROADSTER SERIES I & II, 1961-1971

INDIVIDUAL COMPONENTS

6-cylinder



4.2 Series



PART NO.	DESCRIPTION	ILLUS. NO.	PART NO.	DESCRIPTION	ILLUS. NO.	PART NO.	DESCRIPTION	ILLUS. NO.	PART NO.	DESCRIPTION	ILLUS. NO.
SEAT FRAME WOOD			0115	Underdash Panels (3), 68-71, textured black millboard as original	23	0127	Upper Door Panel Cappings, trimmed steel, includes inner window wipes, pr.	27	0135A	Windscreen Pillar Trim Panels, interior colour (vinyl & foam), 61-68, pr.	30
SEE PAGE 78			012	Inner Sill Panel Kit, vinyl & foam, pr.	2	014P	Door Panel Pockets, 68-71, pr.		0135	Windscreen Pillar Trim Panels, 69-71, black moulded PVC & foam, pr.	30
0117WA	Wood Insert for Seat Back, 3.8. ea.		014AA	Door Panels, 61-64 3.8, (less chrome), trimmed fibreboard, with mounting clips, pr.	4A	01H	Hardura Toe Board Cover. Covers extra toeboard on the passenger side for "shorter people". Came with all E-Types SI/II. Most are lost.		BD2-0660	Hood Hold Down Straps, 61-71, pr.	
0117WB	Wood Replacement Kit 3.8, set per seat		014A	Door Panels, 65-67, (less chrome), trimmed fibreboard, with mounting clips, pr.	4A	BOOT AREA			BD3-8486	Radio Surround, 69-71 moulded PVC & foam, non-airconditioned cars only	31
0117WC	Wood Insert for Seat Back & Seat Bottom Front Tack Piece, 4.2, set per seat		014B	Door Panels, 68 only, (less chrome), trimmed fibreboard, with mounting clips & plastic pockets, pr.	4B	0110A	Boot Back, fibreboard, 61 only, biscuit	10	BD3-8499	Visors, SII, pr. (hardware not included)	
PANELS & VINYL or MOQUETTE TRIM			014C	Door Panels, 69-71, (less chrome), trimmed fibreboard, with mounting clips & plastic pockets, pr.	4B	0110B	Boot Back, Hardura & insulation, 62-71, biscuit	10	HOODS, HOOD ENVELOPES & TONNEAUS		
018	Cover Panels, trimmed aluminium, pr.	8	016A	Wheel Arch Covers, moquette, 61-67, pr.	6	0111	Boot Mat, biscuit Hardura, with 4 boot mat snaps	11	SEE PAGE 74		
019	Cover Panels, around interior light, trimmed aluminium, pr.	9	016B	Wheel Arch Covers, vinyl, 67-71, pr.	6	0112	Boot Sides, biscuit, fibreboard, pr.	12	HOOD FRAME WOOD		
0113A	Cover Panels, trimmed aluminium, (has opening for hood frame), 61-67, pr.	13A	017A	Lower Rear Bulkhead, moquette, 61-67	7	INSTRUMENT & DASH AREA			SEE PAGE 76		
0113B	Cover Panels, trimmed aluminium, (has opening for hood frame), 68-71, pr.	13B	017B	Lower Rear Bulkhead, vinyl, 67-71	7	0128	Padded Dash Cover (screen rail fascia), moulded PVC & foam	29	RUBBER SEALS		
0114	Door Closing Panels, trimmed aluminium, pr.	14							SEE PAGE 65		
									MISCELLANEOUS		
									TR	Tool Roll, (less tools)	
									JB	Jack Bag	
									HFK	Connolly Leather Cleaning Kit	