



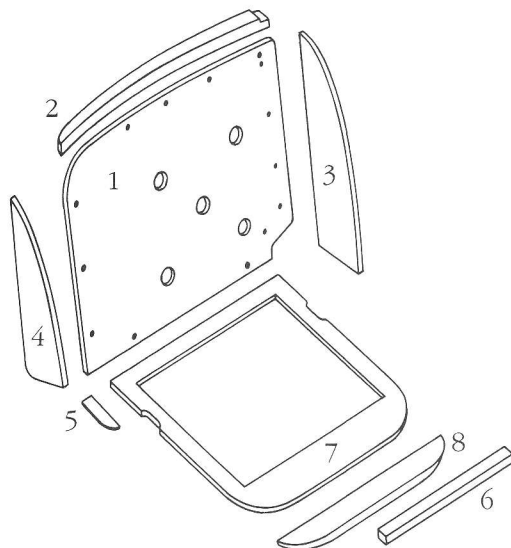
ORIGINAL SPECIFICATION JAGUAR INTERIORS

WOOD COMPONENTS FOR SEAT FRAMES* XK150 SERIES and E-TYPE SERIES I & II

XK150 SERIES

ROADSTER, DHC, FHC

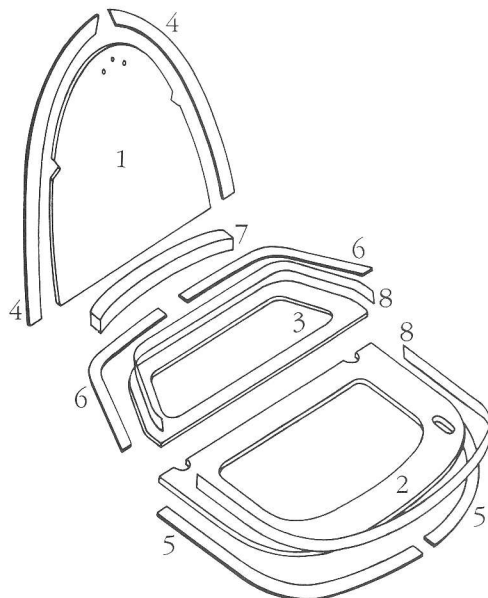
DESCRIPTION	ILLUS. NO.
Kit No: 0213RW	
Plywood Seat Back	1
Hardwood Top Strip	2
Plywood Side Panel, large	3
Plywood Side Panel, small	4
Plywood Tack Strip	5
Hardwood Block	6
Plywood Cushion Frame	7
Hardwood Cushion Frame	8



E-TYPE SERIES I, 3.8 and SERIES I 1/2/II, 4.2

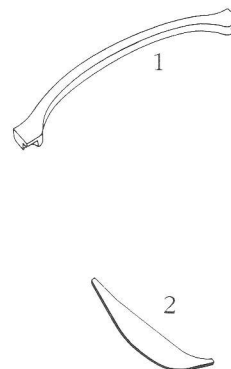
ROADSTER, FHC- SERIES I, 3.8

DESCRIPTION	ILLUS. NO.
Kit No: 0117WB	
Seat Back Insert: No. 0117WA	1
Front Base Wood	2
Rear Base Wood	3
Back Tack Strips	4
Front Tack Strips	5
Rear Tack Strips	6
Tack Block Wood	7
3/4" x 52" Cardboard Strip	8



ROADSTER, FHC- SERIES II, 4.2

DESCRIPTION	ILLUS. NO.
Kit No: 0117WC	
Front Corner Tack Piece	1
Seat Back Bottom Strip	2



* these components are listed for your convenience, they are not available individually.